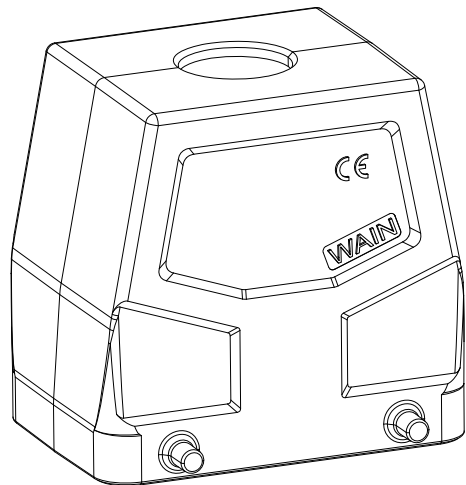


技术参数:

- 材料: 压铸铝
- 表面处理: 粉末喷涂
- 颜色: RAL 7037 (灰色)
- 温度范围:  $-40^{\circ}\text{C} - +125^{\circ}\text{C}$
- 防护等级: IP67 (联锁状态, IEC 60529)
- 出线方向: 顶出线
- 出线孔数: 1
- 螺纹规格: PG29

Technical specification:

- Material: aluminium die-cast
- Surface: powder-coated
- Colour: RAL 7037(grey)
- Temperature range:  $-40^{\circ}\text{C} - +125^{\circ}\text{C}$
- Degree of protection: IP67  
(acc.to IEC 60529 for coupled connector)
- Cable entry: top entry
- No. of cable entries: 1
- Thread size: PG29



|               |              |                  |                |         |            |                |            |   |            |                   |                   |                  |
|---------------|--------------|------------------|----------------|---------|------------|----------------|------------|---|------------|-------------------|-------------------|------------------|
|               |              |                  |                |         |            | 表面处理<br>Finish | -          |   |            |                   | 图号<br>Drawing No. | -                |
|               |              |                  |                |         |            | 材料<br>Material | -          |   |            |                   | 产品代号<br>Part Code | W32A-TEH-4B-PG29 |
| 标记<br>Mark    | 处数<br>Number | 变更描述/Description |                | 姓名/Name | 日期/Date    |                |            |   |            |                   | 产品料号<br>Part No.  | 1101324305004    |
|               |              | 姓名/Name          | 日期/Date        | 姓名/Name | 日期/Date    | 比例<br>Scale    | 版本<br>REV. | 重量<br>Weight                                | 数量<br>Qty. | 产品名称<br>Part Name |                   |                  |
| 绘图<br>Drawn   | BQ LUO       | 18.10.2010       | 标准化<br>Stand.  | -       | -          | 2:3            | V1.0       | 210g  | -          | -                 |                   |                  |
| 审核<br>Checked | P RAO        | 18.10.2010       |                |         |            |                |            |   |            | -                 |                   |                  |
| 工艺<br>Process | -            | -                | 批准<br>Approved | YY LIN  | 18.10.2010 |                |            | 厦门唯恩电气有限公司<br>XIAMEN WAIN ELECTRICAL CO.LTD |            |                   |                   |                  |